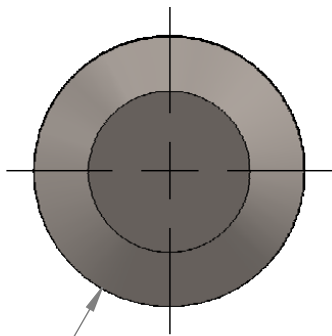
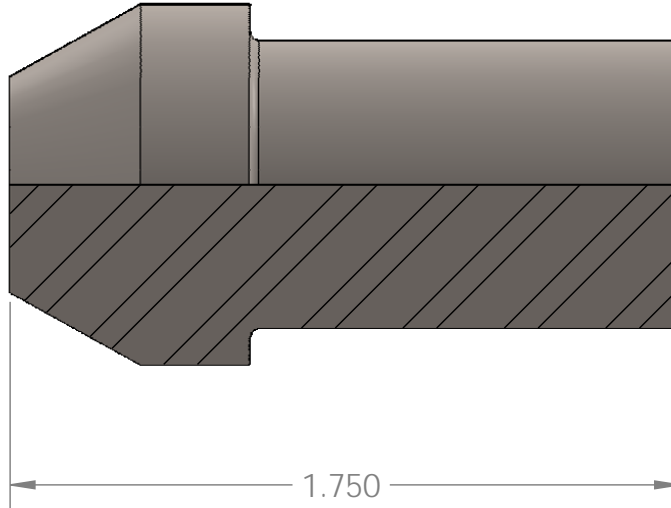
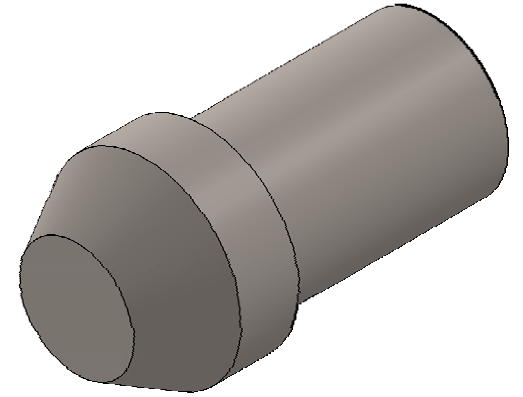




# ultraPressure components

We can handle Pressure



Ø .940

## 3/4" MP PLUG

MATERIAL	316L S.S.
SEALS	NONE
WORKING PRESSURE	20,000 PSI

SIZE

**A**

DWG. NO.

5406P-12M

REV

**0**

SHEET 1 OF 1

5

4

3

2

1